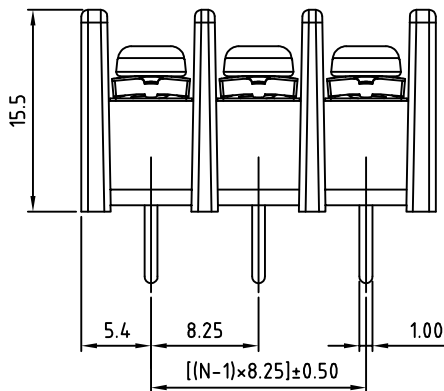
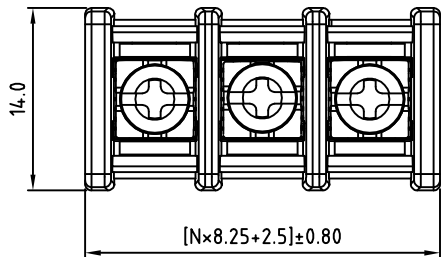
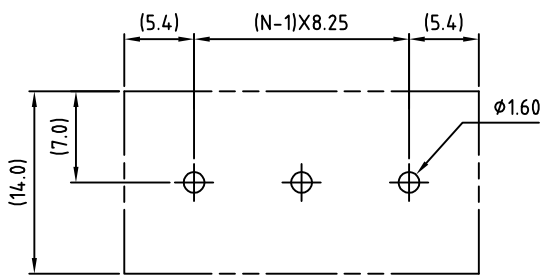


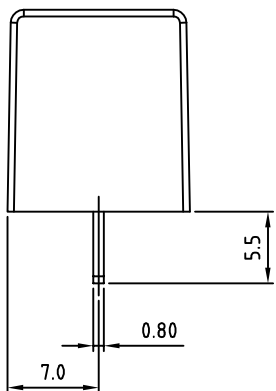
SIGN	DATE	DESCRIPTION	APPROVER
THIS IS CAD DRAWING, DO NOT REVISE MANUALLY!!!			



N=Number of contacts



P.C.B LAYOUT



**SPECIFICATIONS**

VOLTAGE & CURRENT:	300V, 20A
WITHSTANDING VOLTAGE:	AC 2000 V/Min
INSULATION RESISTANCE:	1000 MΩ OR MORE AT DC 500 V
TEMPERATURE RANGE:	-40 °C ~ +105 °C
SCREW TORQUE VALUE:	8.8 Lb-In.
WIRE RANGE:	22 - 12 AWG
1) MOLDED PARTS:	POLYIMIDE 66, UL 94 V-0 BLACK
2) TERMINAL:	BRASS, 0.8t, Tin PLATED
3) TERMINAL SCREWS:	STEEL, Ni PLATED, M3

APPROVAL: US

RoHS Compliant

PART NUMBER:  
**OSTYK412XX030**

No. of Poles  
 02: 2 Poles  
 03: 3 Poles  
 04: 4 Poles  
 ⋮  
 30: 30 Poles

THESE DRAWINGS AND SPECIFICATIONS ARE THE PROPERTY OF ON-SHORE TECHNOLOGY, INC. AND SHALL NOT BE REPRODUCED, COPIED OR USED IN ANY MANNER WITHOUT THE PRIOR WRITTEN CONSENT OF ON-SHORE TECHNOLOGY, INC.



TITLE		OSTYK-412 w/o Flange Series			
PART NO.	OSTYK412XX030	DWG NO.	OSTYK412XX030.DWG		
APPROVED	CHECKED	DESIGNED	DRAWN	CUST NO.	Tolerance
Shi Jun 2006.11.07	Seamus 2006.11.06	Tony 2006.02.06	Tony 2006.02.06		X. ±0.50 X.X ±0.30 X.XX ±0.10 X° ±1°
				UNIT: mm	
				SCALE: NONE	
				SHEET: 01/01	REV: C